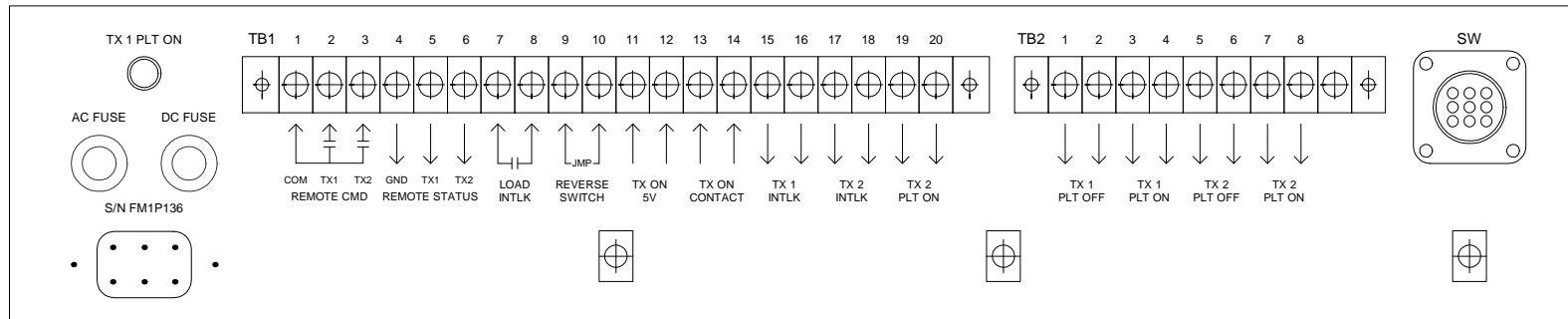
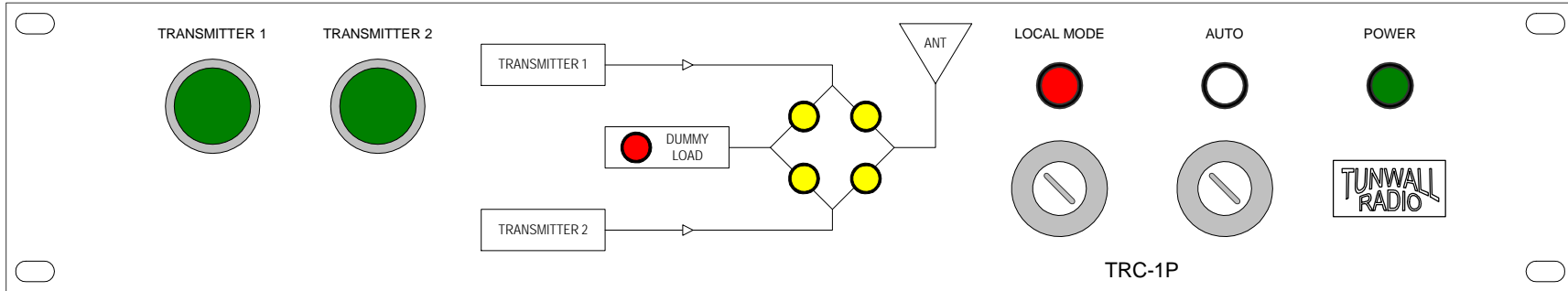


TUNWALL RADIO TRC-1P

SINGLE COAXIAL SWITCH CONTROLLER WITH AUTOMATIC TRANSMITTER ON/OFF CONTROL



Height
2 RU
(3.5")

Depth
10"

For 1 coax switch, 2 transmitters, 1 antenna, and dummy load. Safe switching from a single momentary local or remote command.

Key switch selected AUTO function will transfer to the aux transmitter upon failure of the main transmitter.

Front panel flow chart graphic clarifies RF connections. Dummy load ready light works with the load interlock logic for automatic load protection.

Works with Dielectric 50000, 60000, Delta, Andrew, or any other coax switch with 12VDC, 24VDC, or 120VAC command inputs.

Coax switch is connected to a 9-pin plug, of the same series as the 60000 switch connector. All transmitter and remote connections are to standard .375 barrier terminals.